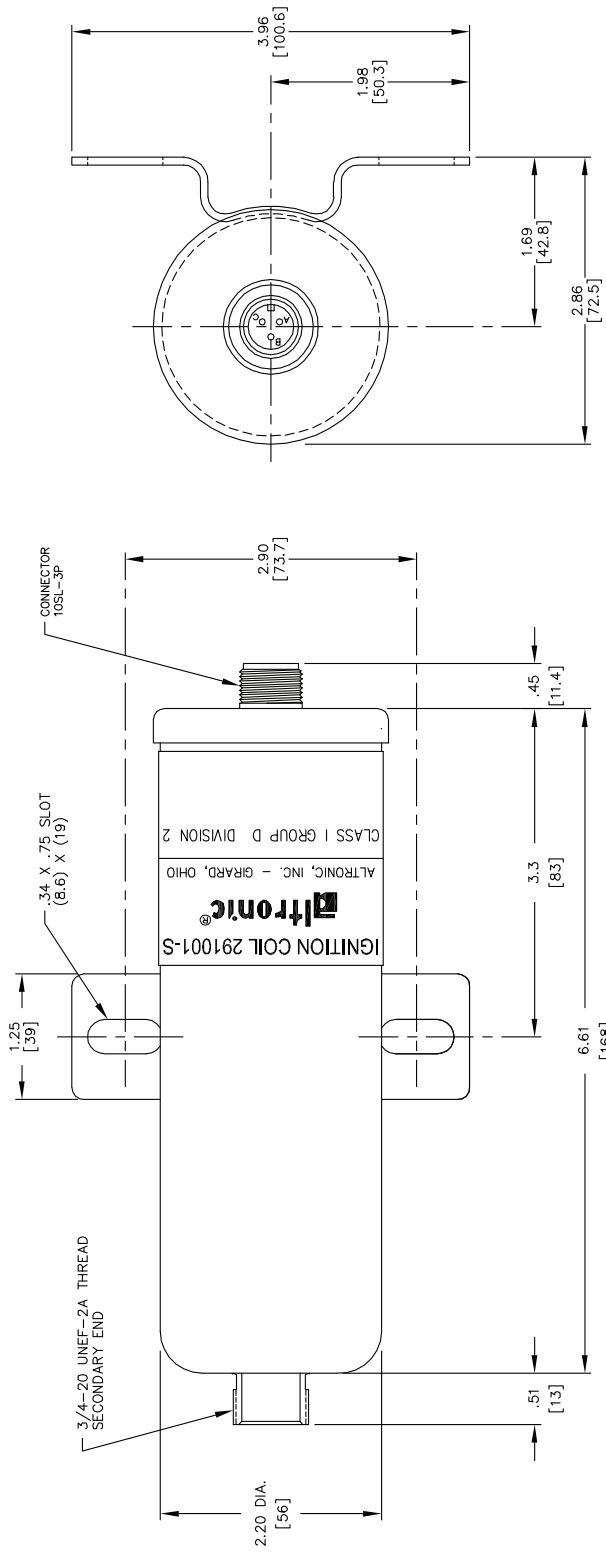


IGNITION ACCESSORIES

291001-S SHIELDED COIL

RESISTANCE	
PRIMARY Pin A to Pin B	SECONDARY Output to Pin B
1.9-2.7Ω	7,200-10,200Ω

COIL ASSEMBLY INCLUDES		
ASSEMBLY PART NO.	PRIMARY ACCESS. PKG.	SECONDARY ACCESS. PKG.
291001-S-2	510553	510480
291001-S-5	-	510480



CSA CERTIFIED CLASS I, GROUP D, DIVISION 2

DIMENSIONS IN INCHES AND (MILLIMETERS)

COIL CIRCUIT DIAGRAM

